



**IP67 Connectors: GM67X-CS Series
Cable Side, IP67 Cable Mount**

(Must Be Used with GM67X Series Box Side Part)

Product Features

- IP67
- Cable Mount
- Cable O.D. Options Available

Performance Specifications

Materials and Finish

Housing Material

Polycarbonate, UL 94V-0 Rated, Black Color

Seal

Silicone, UL 94HB Rated, Red or Blue Color

Nut Material

Polycarbonate, UL 94V-0 Rated, Black Color

Gasket Material

Silicone, UL 94HB Rated, Red Color

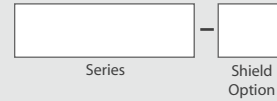
Note:

- *Must be used with GM67X box side part
- *To be used when assembling Cat 5 cable
- *Kycon can offer custom cable assemblies (mins will apply)

2D Drawing	IGES	STEP	3D PDF
Solder Profile	CofC RoHS Compliant	CofC REACH Compliant	UL Plastic File
Certificate of Origin	Check Stock	Request a Sample	Send Us An Email

Generated Part Number

Part Number Builder



Series

GM67X-CS - Cable Mount IP67 Cable Side Component

Cable Seal

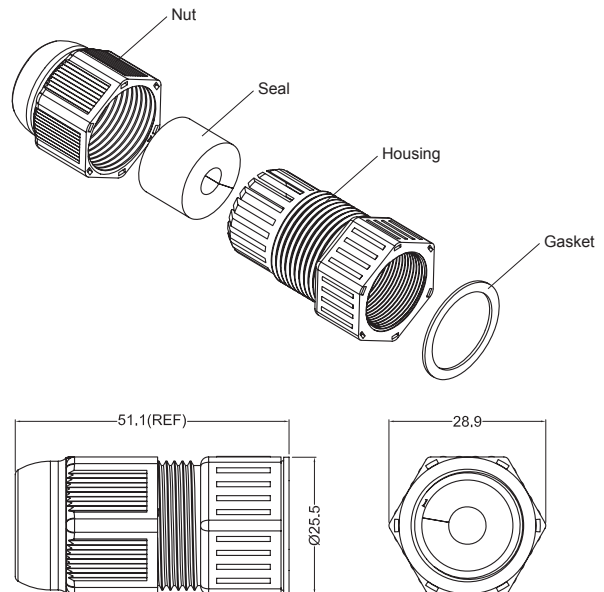
- R - Seal for Cable Outer Diameter of 5.5 mm - 7 mm
- B - Seal for Cable Outer Diameter of 7 mm - 9.5 mm

Contact Kycon for Other Options

GM67X-CS Series

Dimensions in mm

GM67X-CS-R



- R: Recommended Cable O.D.: 5.5 mm to 7 mm
- B: Recommended Cable O.D.: 7 mm to 9.5 mm

[Click here for our assembly videos](#)