

HDMI^(TM): KDMIX Series Vertical HDMI^(TM)

Product Features

Metal Shields Provide Better ESD Protection
Provides Low Impedance Mismatch
19 Position Receptacle
Panel Mount Flange Option Adds Mechanical Stability and Provides Additional Grounding

Performance Specifications

Materials and Finish

Shell

Copper Alloy, Nickel Plated

Insulator

UL94V-0 Rated Thermoplastic, Color Black

Contacts

Copper Alloy

Plating

Gold Flash

Mechanical Characteristics

Insertion Force

44.1N Max.

Extraction Force

9.8N Min., 39.2N Max.

Durability

10K Mating Cycles

Electrical Characteristics

Rated Voltage

40V AC (RMS)

Rated Current

0.5Amps Min.

Contact Resistance

10 milliohms Max.

Insulation Resistance

10 Megohms Min. (mated)

100 Megohms Min. (unmated)

Dielectric Withstanding

500V AC (unmated)

300V AC (mated)

Operating Temperature

-25°C to +85°C

| | | | |
|-----------------------|---------------------|----------------------|------------------|
| 2D Drawing | IGES | STEP | 3D PDF |
| Solder Profile | CofC RoHS Compliant | CofC REACH Compliant | UL Plastic File |
| Certificate of Origin | Check Stock | Request a Sample | Send Us An Email |

Generated Part Number

Part Number Builder

| | | | | | |
|----------------------|---|----------------------|----------------------|----------------------|----------------------|
| <input type="text"/> | - | <input type="text"/> | <input type="text"/> | <input type="text"/> | <input type="text"/> |
| Series | | Shield Option | Top Spring | Insulator Option | Plating Option |

Series

KDMIX - Vertical HDMI^(TM)

Shield Option

FS1V - Vertical SMT Shield Tabs, Flange

Top Spring

WS - With Top Spring

Insulator Option

B - Black

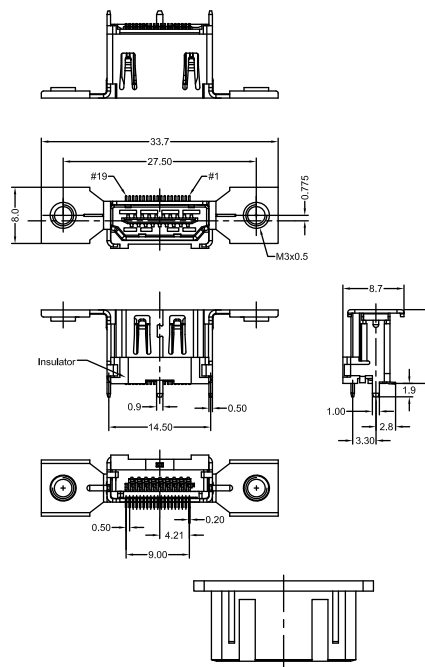
Plating Option

Blank - Gold Flash

Contact Kycon for Other Options

KDMIX-FS1V-WS-B

Dimensions in mm



Dust Cap Comes Installed