

KMMX Series
Micro Universal Serial Bus 3.0

Features

- Also Known as SuperSpeed USB
- More Compact Footprint than Mini-USB
- Meets the USB-IF 3.0 Specification
- Stainless Steel Shell, Which Yields 10,000 Insertion Cycles
- Used in Portable Devices Such as Mobile Phones, PDAs, and Digital Cameras



Performance Specifications

Materials and Finish

Insulator: LCP+50%GF UL 94V-0 Rated, Black Color
Contacts: 30µ" Gold Plating over Nickel on Contact Area, Gold Flash Plating on Solder Tail
Shell: Stainless Steel, Nickel Plated

Electrical Characteristics

Rated Voltage: 5V AC (RMS Max.)
Rated Current: 1.8A (only Pin 1,5); 0.25A For Other Pins
Dielectric Withstanding Voltage: 100V AC for 1 min.
Insulation Resistance: 100 Megohms Min.
Contact Resistance: 50 milliohms Max.
Operating Temperature: See Drawing

Mechanical Characteristics

Insertion Force: 35N Max.
Withdrawal Force: 8N Min.
Durability: 10000 cycles Min.

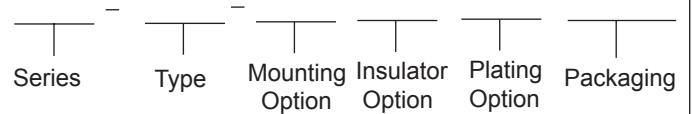
UNIVERSAL SERIAL BUS 3.0

KMMX Series

Documentation & Ordering Information

Kycon Part #

Part Number Builder



Series

KMMX - Micro Universal Serial Bus

Type

AB10 - AB Type, 10 pins
 B10 - B Type, 10 pins

Mounting Option

SMT1S - Surface Mount with Through Hole Shield Tabs
 SMT4S - Surface Mount with SMT Shield Tabs

Insulator Color Option

B - Black

Plating Option

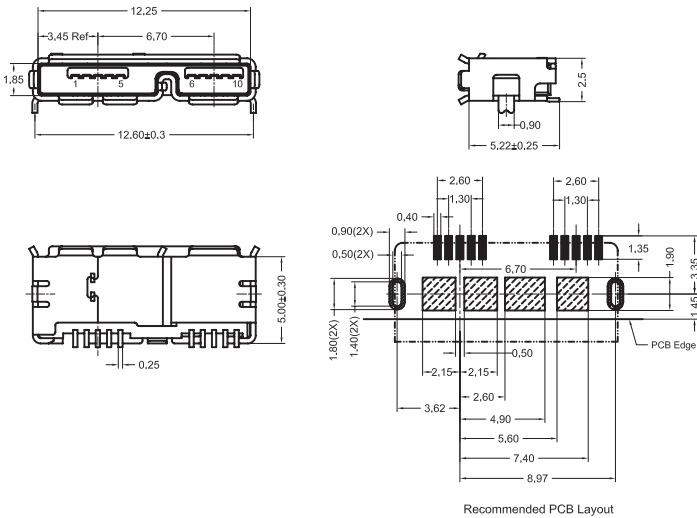
30 - 30µ" Gold

Packaging

TR - Tape and Reel

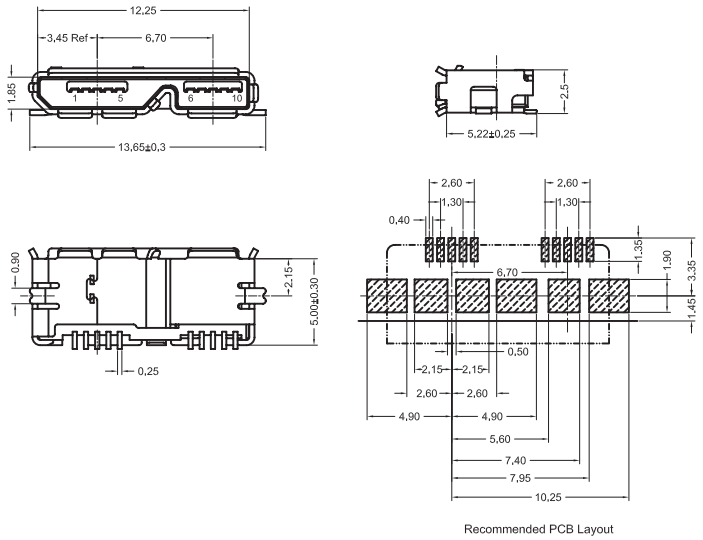
*See next page for dimensions

KMMX-AB10-SMT1SB30
Dimensions in mm



Pin Number	Signal Name
1	VBUS
2	D-
3	D+
4	ID
5	GND
6	MicA_SSTX-
7	MicA_SSTX+
8	GND_DRAIN
9	MicA_SSRX-
10	MicA_SSRX+

KMMX-B10-SMT4SB30
Dimensions in mm



Pin Number	Signal Name
1	VBUS
2	D-
3	D+
4	ID
5	GND
6	MicA_SSTX-
7	MicA_SSTX+
8	GND_DRAIN
9	MicA_SSRX-
10	MicA_SSRX+